

型号 (Type) : HY 40 P 16 T/R 12 - 1

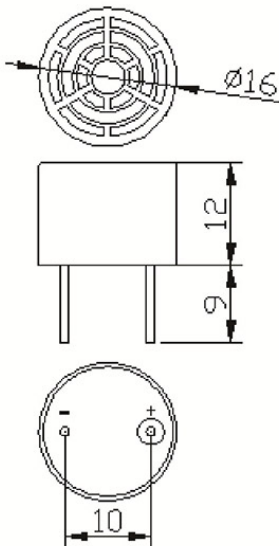
1 华宇电子	1	2	3	4	5	6	7
2 标称频率	Huayu Electronic Co.,Ltd						
3 外壳材质	Center Frequency						
4 外壳直径	Housing Material						
5 功能	Shell diameter						
6 产品高度	Function						
7 结构	Product height						
	structure						



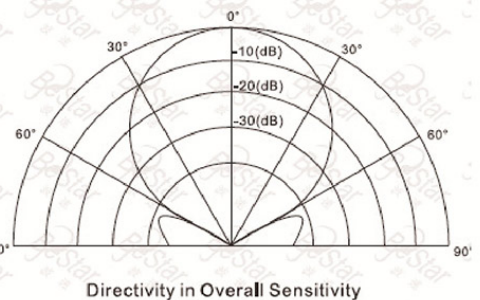
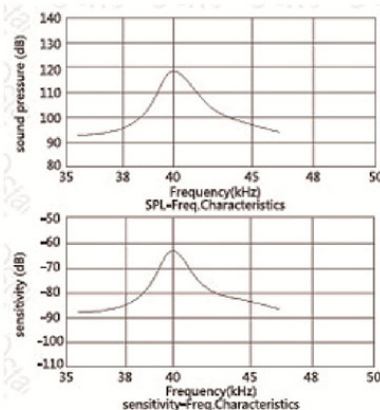
电气规格 (ELECTRICAL SPECIFICATION)

- 功能 (Function) : Receive and transmit separately (收发分体)
- 结构 (structure) : Open Structure (开放式)
- 外壳材质 (Housing Material) : ABS
- 中心频率 (Center Frequency) : 40 ± 2.0 KHz
- 静态电容 (Free Capacitance) : $2200\text{Pf} \pm 20\%$
- 声压 (Sound Pressure Level) : 115dB min. (0dB=0.02mPa)
- 灵敏度 (Sensitive) : -65dB Min (0dB=1V/ μ bar)
- 发射角度 (-6 dB Directivity (deg) : $60^\circ \pm 15^\circ$
- 使用温度 (Operating Temperature) : $-30^\circ\text{C} \sim +70^\circ\text{C}$
- 最大允许电压 (Maximum allowable voltage) : 80Vp-p
- 储存温度 (Storage Temperature) : $-40^\circ\text{C} \sim +80^\circ\text{C}$
- 余震 (Ringing) : 1.5ms MAX
- 重量 (Weight) : 2.5g

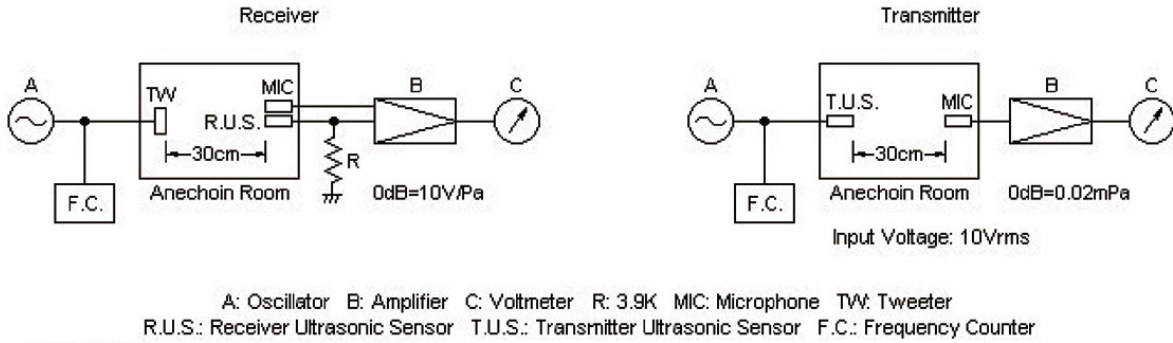
外观及尺寸 (Appearance and size)



性能参数 (graphics for performance parameters)



测试电路 (Test circuit)



可靠性试验 (RELIABILITY TEST)

- 1 High temp test
After being placed in a chamber at 120°C for 24 hours
- 2 Low temp test
After being placed in a chamber at -30°C for 96 hours
- 3 Humidity Test
After being placed in a chamber +50°C and 90±5% relative Humidity for 96 hours
- 4 Vibration
Sensor shall be measured after being applied vibration of Amplitude of 1.5mm with 10 to 55hz band of vibration frequency to each of 3 per-pendicuar directions for 2 hours
- 5 Drop test
The part only shall be dropped from a height of 100cm onto a 10mm thick wooden board 3 times in 3 axes(X.Y.Z). (a total of 9 times).
- 6 Treminal Mechanical strength
The force 10 seconds of 9.8N(1.0Kg)is applied to each terminal in axial direction
No damage and cutting off
- 7 After the test the part shall meet specifications with-out any Degradation in appearance and performance except SPL after 4 hours at 25°C. The SPL should be in±10dB compared wit initial one.

- 1 高温试验
120 度放置 24 小时
- 2 低温试验
30 度放置 96 小时
- 3 湿度测试
50 度 90±5%，96 小时。
- 4 振动
10-55hz 1min 1.5mm 3 轴 (x.y.z) 2hours/direction
- 5 跌落试验
100CM高下跌到 10mm厚的木板上 3 次一个循环 (共做 9 次)。
- 6 接线的机械强度
用力 10 秒 9.8n (1.0kg) 施加到终端，在轴向方无损坏切断。
- 7 试验结束后，在 25°C 4 小时后，传感器的外观和性能均应符合规定。声压级应在 ±10db 相比初始。

包装规范 (Package Specification)

- | | |
|--------------------------|----------------------------------|
| 1 每只泡沫盒 50 只产品。 | Each foam box has 50 products |
| 2 每箱 40 只泡沫盒。 | 40 foam boxes in each case |
| 3 每箱 2000 只产品。 | 2000 products per carton |
| 4 包装箱尺寸 505X420X280 (mm) | Packing case size 505X420X280 mm |

